

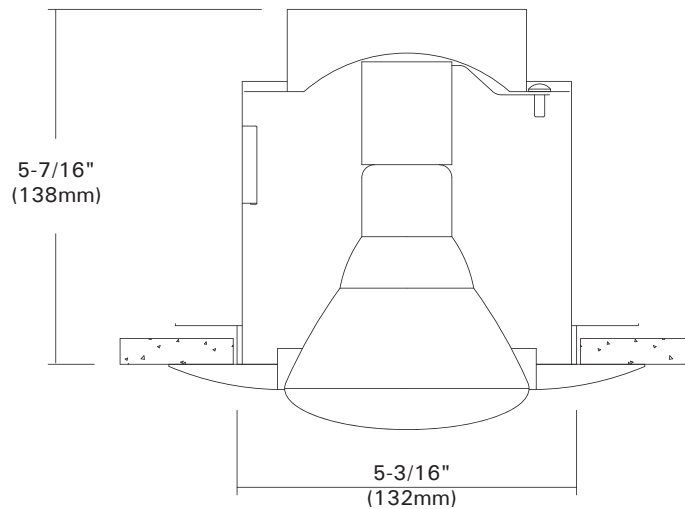
DL-115

120V Line Voltage

5" NON-IC Mini Housing For Incandescent

Catalog #		Type
Project		Date
Prepared by		

INCANDESCENT



DESCRIPTION

The DL-115 is a 5" aperture remodel housing for PAR20 and PAR30 incandescent lamps.

APPLICATION

The DL-115 is designed for use in non-insulated ceilings. Insulation material must be kept a minimum of 3" from all sides of the housing. It can be used in both remodel or new construction applications.

DESIGN FEATURES

◦ Housing

- Galvanized steel housing.
- Housing adjusts for ceilings up to 1/2" thick.

◦ Mounting Frame

- Galvanized steel construction.
- 11-5/8"L X 11-5/8"W
- Provided with the frame for use in new construction.

◦ Remodel Clips

- 4 remodel clips secure housing and accommodates 1/2" and 5/8" ceiling materials.

◦ Socket

- Medium base porcelain with nickel-plated copper screw shell.
- Snaps into trim for consistent lamp positioning.

◆ Noted.

Packed in 12 individual color box with a trim in a master carton.

◦ Lamp

- Lamp ratings based on trim selected - See trim page for more details.

◦ Thermal Protector

- Self-resetting thermal protector in the housing deactivates fixture if overheating occurs due to improper lamping or insulation.

* Listing

- UL, c-UL listed for damp location.
- UL, c-UL listed for feed through.

◦ Optional "Quick Connect" Push-in wire connectors.

- Three "Quick Connectors"
- Pre-installed push-in wire connectors for fast and easy wiring.

Ceiling Cut-out : 5-3/8"
Lamp, Max, Watt. : 75W A19 / R30 / PAR30

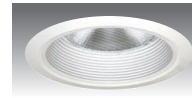
Trims



TM-35

Open Trim
PAR30L/R30 - 75W

White Metal Trim Ring
O.D : 7-1/4"



TM-35B-WH

Metal Baffle
PAR30L/R20 - 75W

White Plastic Trim Ring
O.D : 6"



TM-35B-BK

Specular Reflector
PAR20/R20/A19 - 75W

White Plastic Trim Ring
O.D : 6"



TM-195R



TM-85E

Eyeball
PAR20/R20 - 100W

White Plastic Trim Ring
O.D : 7-1/4"